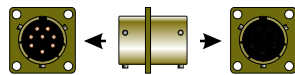


PARTS LIST		
DESCRIPTION	PART NUMBER	QTY
CONTROLLER BOX	DUO2.CAN	1
SENSOR OPTION LEFT	R.ULS.CAN	1
SENSOR OPTION RIGHT	R.ULS.CAN	1
JOYSTICK	JOYSTICK (Optional)	1
HYDRAULIC CABLE (5m)	A.RS.080	1
CAN CABLE (5m)	A.RS.110	3
INTERFACE BOX	IB.DUO2.CAN	1
POWER CABLE (6m)	A.RS.001.NC	1
8S-8P ADAPTOR	P.CONN.018 (Optional)	?
HIRSCHMANN CONNECTORS	GDM 3009 BLACK (Optional)	2 or 4

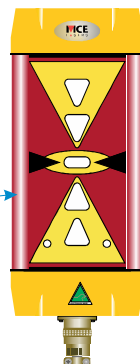
LASER RECEIVER MODELS
R.ULS.CAN
R.ULS.MM.CAN
R.ULS.MM.500
R.ULS.MM.1000

CAN CABLE OPTIONS	
A.R.S.111	(2.5m)
A.R.S.110	(5.0m)
A.R.S.107	(10.0m)
A.R.S.106	(CURLY CORD) 1.7m un-streched 8.5m stretched

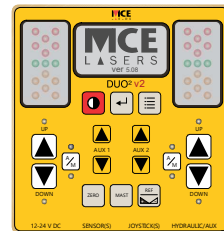


OPTIONAL 8P - 8S
CAN CORD ADAPTOR
(P.CONN.018)
for extending CAN cables

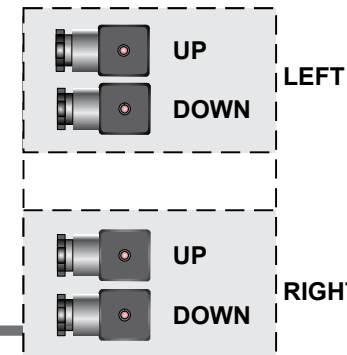
LASER RECEIVER



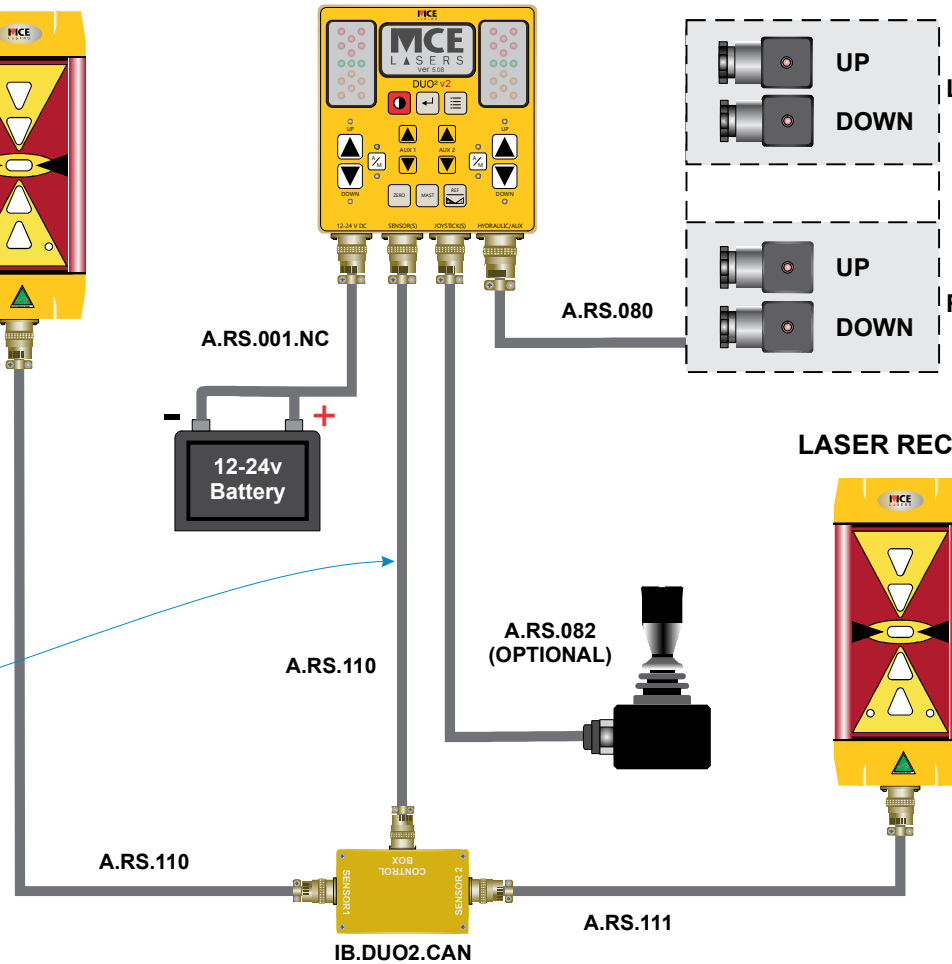
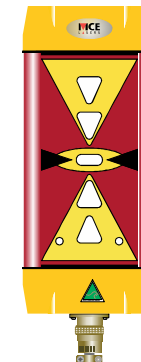
DUO2.CAN



Hydraulic Valve Connector



LASER RECEIVER



RevNo	Revision note	Date	Signature	Checked	Tolerances	Path: X:\Graphical Work\Setup Diagrams\Setup diagrams CAN					
1	Replaced A.RS.107 with 110 and A.RS.110 with 111.	02/09/19	N.A.	C.R.	Unless Stated:	Material:	Drawn by:	Checked by:	Unit:	aumoba Code:	Finish:
2	Rearranged to be consistent with the rest of the setup diagrams. Updated the template.	03/02/21	N.A.	D.R. & C.R.	xx.x = +/- 0.1 xx.xx = +/- 0.05 xx.xxx = +/- 0.02	N.A.	D.R.			RS.037	Date: 03/02/21 Scale: NTS
								90 Willandra Drive, Epping, Victoria 3076 P: +61 3 9357 0055 Email: aumoba@moba.de www.moba-automation.com.au		Title: SETUP DIAGRAM FOR DUO2 WITH 2 x R.ULS Drawing No: _____ Version: _____ Sheet: 1	