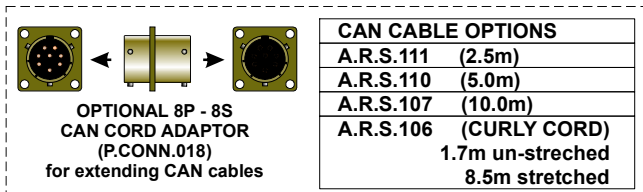
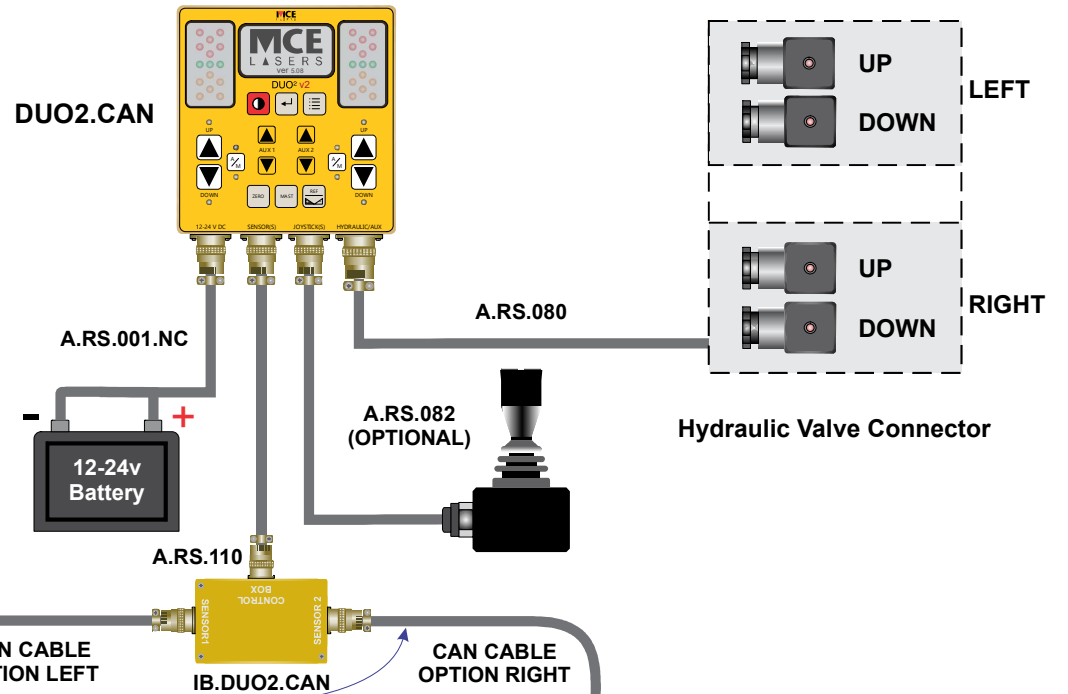
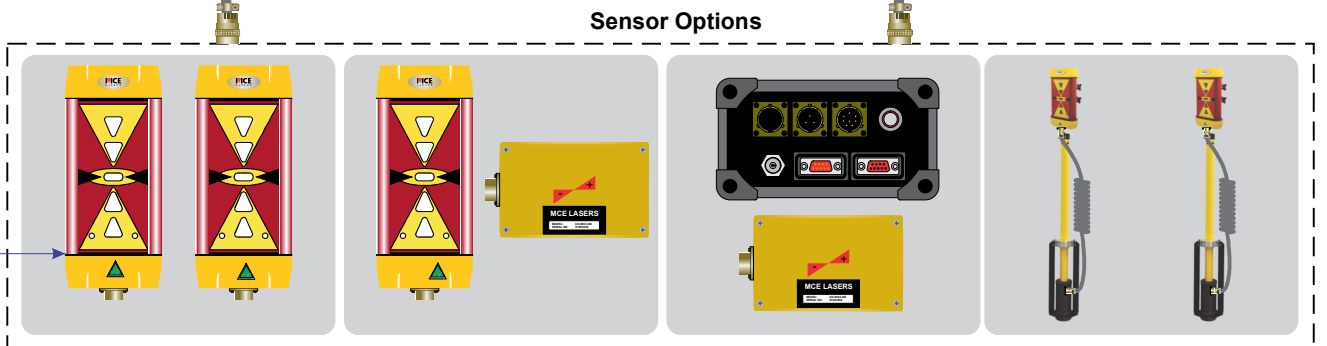


PARTS LIST		
DESCRIPTION	PART NUMBER	QTY
CONTROLLER BOX	DUO2.CAN	1
SENSOR OPTION LEFT	SENSOR OPTIONS	1
SENSOR OPTION RIGHT	SENSOR OPTIONS	1
MAST	ME14.CAN (Optional)	1
JOYSTICK	A.RS.082 (Optional)	1
HYDRAULIC CABLE	A.RS.080	1
CAN CABLE	A.RS.110	1
CAN CABLE LEFT	CAN CABLE OPTIONS	1
CAN CABLE RIGHT	CAN CABLE OPTIONS	1
INTERFACE BOX	IB.DUO2.CAN	1
POWER CABLE	A.RS.001.NC	1
8S-8P ADAPTOR	P.CONN.018 (Optional)	?
HIRSCHMANN CONNECTORS	GDM 3009 BLACK (Optional)	2 or 4



CAN CABLE OPTIONS	
A.R.S.111	(2.5m)
A.R.S.110	(5.0m)
A.R.S.107	(10.0m)
A.R.S.106	(CURLY CORD) 1.7m un-streched 8.5m stretched

LASER RECEIVER MODELS	
R.ULS.CAN	
R.ULS.MM.CAN	
R.ULS.MM.500	
R.ULS.MM.1000	



NOTE: for GNSS sensor option, please refer to setup diagram RS.027

RevNo	Revision note	Date	Signature	Checked	Tolerances	Path: X:\Graphical Work\Setup Diagrams\Set-up diagrams for website					
1	Deleted Sonic Sensor and rearranged. Updated the template.	03/02/21	N.A.	D.R. & C.R.	Unless Stated: xx.x = +/- 0.1 xx.xx = +/- 0.05 xx.xxx = +/- 0.02	Material:	Checked by:	Unit:	aumoba Code:	Finish:	Scale:
						N.A.	D.R. & C.R.			03/02/21	NTS
								Title: SETUP DIAGRAM FOR DUO2.CAN SENSOR OPTION			
								Drawing No: Version: Sheet: 1			